

Lacté

The Milk Masters

NOVA WEARABLE BREASTPUMP





CONGRATULATIONS!

Thank you for choosing Lacté Nova Wearable Breastpump. It has been known that breastmilk is the best natural food for your baby. With our collaboration with the breastfeeding experts and research with the lovely breastfeeding mothers who are determined to give the best to their babies, just like you, Lacté fulfils the breastfeeding mothers' needs where the circumstances do not make breastfeeding possible. Milking made easy.

Lacté Nova Wearable Breastpump - Unrivalled features at its price point

- Hands Free Discreet pumping
- Soft Breast Shield with only 4-piece assembly
- Closed System with Anti-backflow
- 2 Funnel size included: 24mm & 28mm
- 2 Phase- Stimulation & Expression Phase + Mix Mode
- 9 Steps Suction with Speed Control

Intended Use

Lacté Nova Wearable Breastpump is used to express milk from the breasts of lactating women. The Breastpump may be used to relieve engorgement, a painful condition whereby the breasts are overfull, possibly preventing a proper latch by the infant. A Breastpump may also be used in the event if an Infant does not latch properly for direct breastfeeding and the mother still desires the benefits of breast milk.



TABLE OF CONTENTS

Congratulations	i
Intended Use	i
Important Safety Information	1
Product Description	2
Preparing the Pump	3
Expression	4-5
Storing and thawing Breastmilk	6
Cleaning	7
Troubleshooting	8
Technical Data	8
Warranty	9

IMPORTANT SAFETY INFORMATION

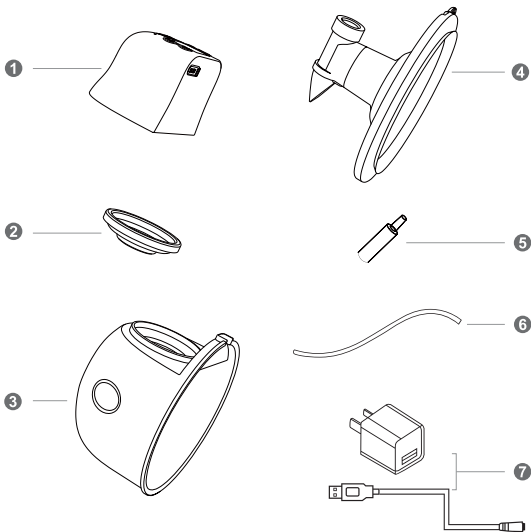
Failure to follow these instructions/ safety information can lead to danger from the device.

- Unplug the AC adapter from wall socket outlet when the pump is not in use.
- Do not leave the Breastpump unattended when plugged into a power source.
- Keep the device dry and do not immerse in water.
- Do not reach for an electrical device If It has fallen into water. Unplug immediately.
- Repairs must be conducted by authorised service agencies.

Warning

- This is a single user product. Use by more than one person may present a health risk.
- Supervision is required when the breastpump is used in the vicinity of children.
- Use the breastpump only for its intended use as described in this manual.
- Do not use the breastpump while sleeping or overly drowsy.
- Unplug the charging cable from power source when the pump is fully charged.
- Do not place the breastpump near any appliances generating a strong magnetic field.
- Do not place the breastpump under direct sunlight.

PRODUCT DESCRIPTION



01	Main Pump Unit	x1
02	Diaphragm	x1
03	Milk Collection Cup	x1
04	Soft Breastshield 24mm	x1
	Soft Breastshield 28mm	x1

05	Tubing Connector	x1
06	Tubing	x1
07	Power Adaptor with USB Cable	x1

PREPARING THE PUMP

Warning

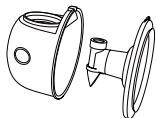
The Lacté Nova Wearable Breastpump comes pre-assembled, however you need to re-assemble it after each cleaning. Before assembling, the parts which come in contact with breast milk directly, such as milk bottle, silicone breastshield, breastshield body, diaphragm, bottle lid, disc collar (if use standard bottle) must be cleaned and sterilized before each use.

01



Insert the Diaphragm onto the Milk Collection Cup as shown

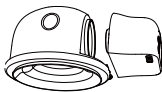
02



Insert the Soft Breastshield into the Milk Collection Cup as shown.

Ensure the inner connector is seated properly and the breastshield shall be firmly seated to the cup to prevent leakage.

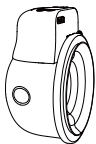
03



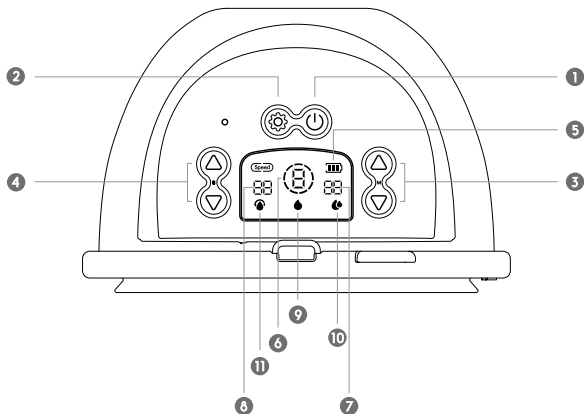
Install the Main Pump Unit onto the Diaphragm as shown.

Ensure the Main Pump Unit is firmly seated to the cup.

04



Completed Assembly.



01 On / Off Button

02 Mode Button

03 Suction Level Button

04 Speed Level Button

05 Battery Level Indicator

06 Suction Level Indicator

07 Running Time

08 Speed Level Indicator

09 Stimulation Mode

10 Expression Mode

11 Mix Mode

Place the Breast pump on your breast so that your nipple is properly centered in the tunnel.

Press and hold the On / Off Button to switch on the pump and the 30 minutes timer will start counting. The pump begins with Stimulation Phase at Level 1, Speed 98 time/min for 2 minutes and will then automatically switch to Expression mode. The pump will stop when it completes 30 minutes pumping cycle.

Use the Suction Level Button to increase / decrease the suction power to your preferred level in each mode. Use the Speed Level Button to select your preferred speed in Expression Mode and Mix Mode. (Speed adjustment is not available in Stimulation Mode). Use the Mode Button to toggle between Stimulation - Expression - Mix Mode.

The pump comes with last used setting memory. When you start a new pumping session, the pump will load your last used setting in Stimulation & Expression Mode (Mix Mode will start at default Level 1).

A fully charged battery can continue to work for 3 to 4 cycles depending on your setting.

STORING AND THAWING BREASTMILK

You should store and thaw your breastmilk correctly. This is the only way you can be sure that all the important nutrients are preserved and bacterial contamination is minimised.

Guidelines for storing | thawing breastmilk

Lacté recommends using the following guidelines for storing and thawing Breastmilk for Healthy Term Babies.

	Freshly expressed breastmilk	Thawed breastmilk (previously frozen)
Room temperature	Do not store at room temperature	Do not store
Refrigerator	3 - 5 days at approx. 4°C	10 hours
Refrigerator freezer compartment	6 months at approx. -16°C	Do not refreeze after thawing!
Freezer	12 months at approx. -18°C	Do not refreeze after thawing!

Tips for freezing / thawing breastmilk:

- Never fill bottles/bags more than full to allow space for possible expansion. Label the bottle/bag with the date you expressed the milk.
- Do not store breastmilk in the refrigerator door. Store it in the lower back area of the refrigerator, where the temperature is coolest.
- Thaw frozen breastmilk in the refrigerator overnight or hold the bottle or bag under running warm water (max. 37°C)
- Shake the bottle or bag gently to blend any fat that has separated.
- Do not thaw frozen breastmilk in a microwave oven or in a pan of boiling water (danger of burning).

Before using your Lacté Breastpump, disassemble, wash and sterilise all parts of the breastshield kit.

- Do NOT sterilise tubing.
- Completely air-dry or towel-dry before assembly for next use.

Partially dry components may affect the operation of your Electric Breastpump. Please ensure that all parts are completely dry before use.

Before Each Use:

- Wash your hands thoroughly with soap and warm water before handling the Breastshield Kit, the Electric Breastpump or any other attachments.
- Make sure the Breastshield Kit is cleaned, sterilised and dried.
- Ensure the tubing is free from any liquid. Do NOT operate your Lacté Breastpump if any liquid is visible in the tubing. (See Tubing Cleaning Instructions on page 7.)

General Cleaning Instruction:

- Set aside the tubing. Under the normal working conditions of the pump, the diaphragm would prevent the back-flow of milk. Therefore, these items do not need to be washed. In case of finding any liquid or liquid vapour inside the tubing, follow the Tubing Cleaning Instruction carefully before use.
- All parts of the Breastshield Kit may be cleaned in the upper compartment of your dishwasher or hand washed with dish soap in hot water. Do NOT use solvents or abrasives.
- Rinse with hot, clean water.
- To clean the Pump Base, wipe the Base with a damp cloth, using only water or water mixed with a mild soap

Tubing Cleaning Instructions:

- Wipe the outside of the tubing with a clean, damp cloth. Avoid getting water or other fluids inside the tubing.
- If liquids are found inside tubing, rinse the tubing with clean hot water. Hang to AIR DRY COMPLETELY BEFORE USING. Do NOT insert any object into tubing.

Note: Before each use, visually inspect the individual components for cracks, chips, tears, discoloration or deterioration; as they may affect the efficiency of the Lacté Breastpump. In the event that damage to the device is observed, please discontinue use until the parts have been replaced.

If there is low or no suction

- Check all connections if they are all properly attached at all connection points.
- Check the condition of the valve section of the soft breastshield, if there is sign of tear, worn out or widely open position, replace a new breastshield.

The pump becomes wet

- Switch off the pump.
- Do not place the pump upside down. Control panel must point upwards.
- Store the pump in a dry, warm place for 24 hours.

Note:

- Do not expose the pump to direct sunlight.
- Do not accelerate the drying process by use of heat.

The pump does not switch on:

Check if the pump is properly charged.

Contact your Lacté dealer or the store where you bought the pump.

TECHNICAL DATA

- | | |
|--------------------|--------------------------|
| · Model | WP01 |
| · Power Input | 100V~240V AC, 50/60 Hz |
| · Power Output | DC 5V, 1A |
| · Power Rating | 5W |
| · Battery Capacity | Lithium Polymer 1100 mAh |

The Lacté Nova Wearable Breastpump ("Product") is warranted to the original user - whether institutional or individual ("First User") - only. From the date of the First User's purchase of the product, GMTA Asia Sdn. Bhd. ("GMTA") warrants the Product to the First User against defects in material or workmanship for a period of one year for the pump mechanism.

GMTA sole obligation under this limited warranty shall be to repair or replace, at GMTA option, any Product that is determined to be defective by GMTA and determined to be covered by this express limited warranty. Repair or replacement under this limited warranty is the sole and exclusive remedy of the First User. Proof of purchase in the form of receipted invoice or bill of sale evidencing that the Product is within the warranty period must be presented to obtain warranty service. This limited warranty is extended by GMTA ONLY to the First User and is not assignable or transferable.

EXCEPT TO THE EXTENT PROHIBITED BY APPLICABLE LAW, ANY IMPLIED WARRANTY OF MERCHANTABILITY OR FITNESS FOR A PARTICULAR PURPOSE ON THE PRODUCT IS HEREBY DISCLAIMED. GMTA SHALL NOT BE LIABLE FOR ANY INCIDENTAL, CONSEQUENTIAL, SPECIAL OR PUNITIVE DAMAGES OF ANY KIND FOR BREACH OF THE EXPRESS LIMITED WARRANTY ON THE PRODUCT OR ANY WARRANTY IMPLIED BY OPERATION OF LAW. OTHER THAN THE LIMITED WARRANTY SET FORTH ABOVE, THERE ARE NO OTHER WARRANTIES THAT ACCOMPANY THIS PRODUCT AND ANY ORAL, WRITTEN OR ANY OTHER REPRESENTATION OF ANY KIND IS HEREBY DISCLAIMED.

Non-Applicable of Warranty

In addition to any other limitations on the warranty mentioned above, the warranty shall expire and be of no force or effect upon the occurrence of any of the following:

- (i) the cause of damage of the Product is due to improper handling or use.
- (ii) the Product is not properly maintained by the First User as determined by GMTA.
- (iii) non approved accessories or spare parts are used with the Product as determined by GMTA.

If any of the above occurs, GMTA shall not be responsible for damage to the Product, parts thereof or Injuries arising therefrom, either directly or indirectly. The warranty terms set forth above replaces all prior warranties with respect to the purchased Product, whether in writing or otherwise. Call your local distributor or location where you purchased the Product.